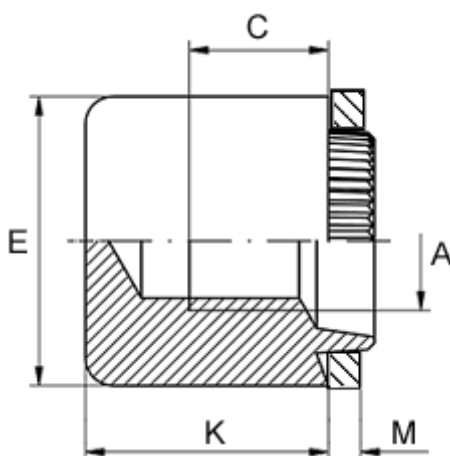


Article number: 12741000040500
Description: KLEE-coil 741 000 040.500
M4 St. steel 1.4305

Measures



Female thread A	= M4
Height K	= 9.0
Min thread length C	= 4.0
Outer diameter E	= 10.0
Plate thickness	= 0.5 to 0.6
Recommended bore diameter for extreme load	= 7.0
Recommended bore diameter for normal use	= 7.0